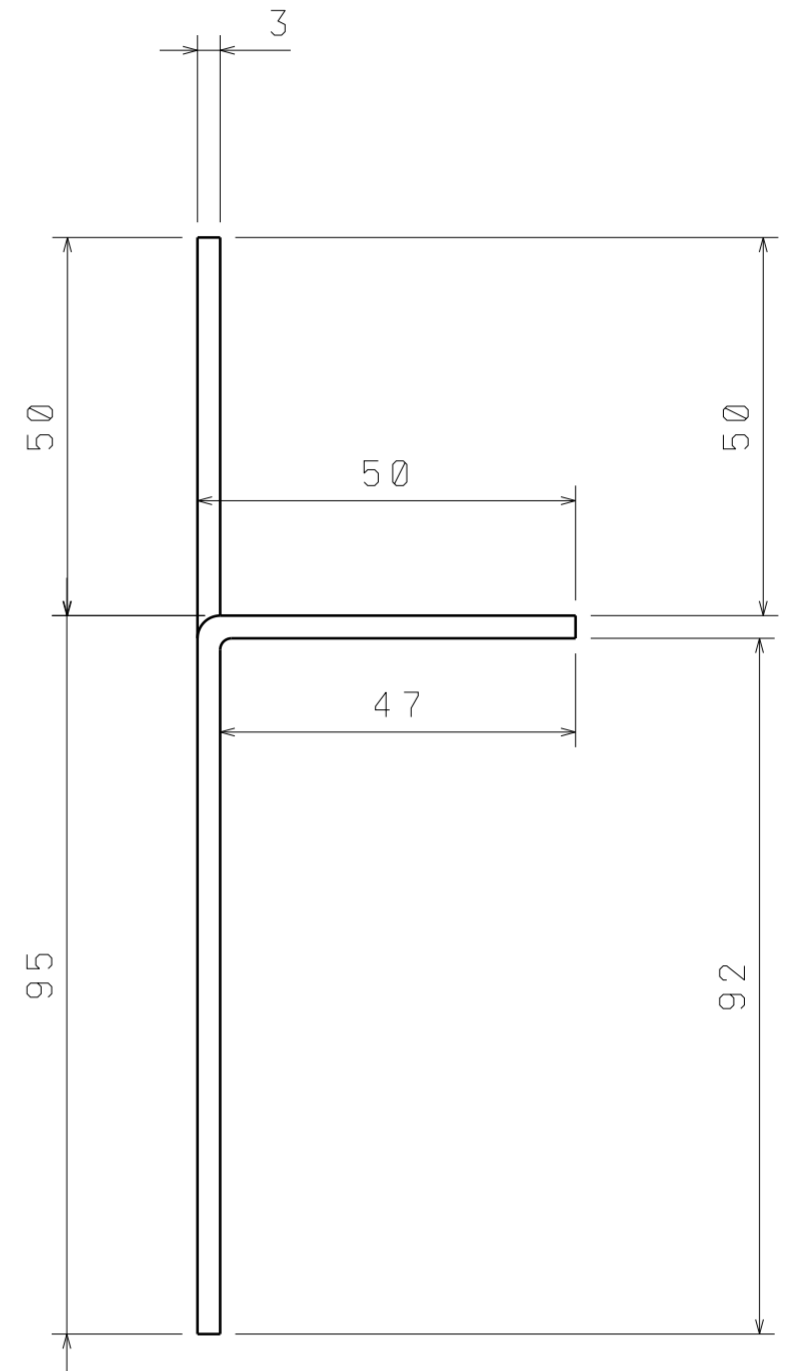
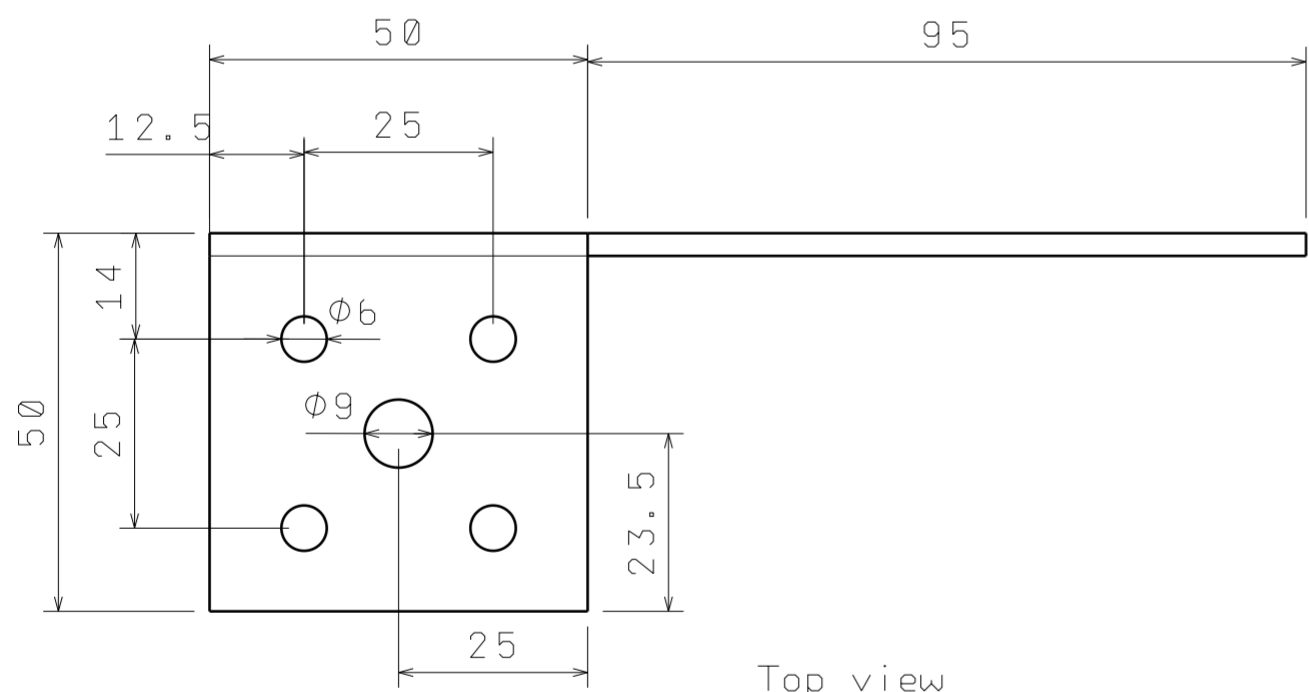


Front view
Scale: 1:1



Left view
Scale: 1:1



Top view
Scale: 1:1

DESIGNED BY: Radiona SKATT	Ply Name	Winglet right 145	I	-
DATE: 28.12.2018	Material	DX51 + Z275	H	-
CHECKED BY: Igor Puhar	Direction	right	G	-
DATE: 03.01.2019.	Thickness	3 mm	F	-
SIZE: A2	SequenceID	WRZ502130	E	-
SCALE: 1:1	Contact:	www.skatt.work	D	-
WEIGHT (kg): 229 g		info@radionaskatt.hr	C	-
This drawing is our property; it can't be reproduced or communicated without our written agreement.			B	-
			A	-